



Magswitch Technology, Inc.
 8774 Yates Dr. Suite 140
 Westminster, CO 80031
 Magswitch.com.au
 303-468-0662

Magswitch E50-900/660 CE with remote

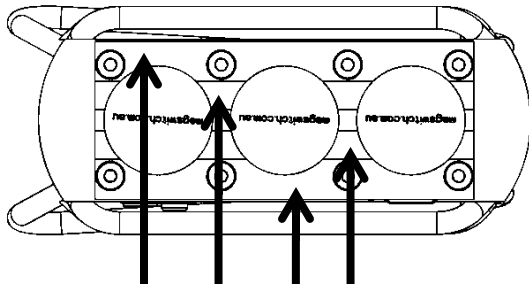
P/N: 8100387

Magswitch LAY series utilizes field interaction between individual magnets to increase depth of field and spread the attractive force over a larger footprint. This allows for greater working loads and increased control over larger work pieces. With customizable pole shoes to fit almost any application, the LAY is a great all around tool that is perfect for picking pipe and round as well as large plate steel.



WARNING!
Do Not Operate Unless In
Contact With Ferrous Target

SPECIFICATIONS	
P/N: 8140393 - MAGSWITCH PLAY50x3 MDC	
Max Breakaway*	1800 lbs/816.5 kg
Safe Working Load*	600 lbs/272.2 kg
Full Saturation Thickness	1/2" / 12.7mm
Max Safe Shear*	360 lbs/163.3 kg
Minimum Thickness for De-Stack	1/2" / 12.7mm
Net Weight	8.8 kg
Mounting Thread	M6x1.0
Overall Height	321.8 mm
Magnetic Pole Footprint	171x71.12 mm



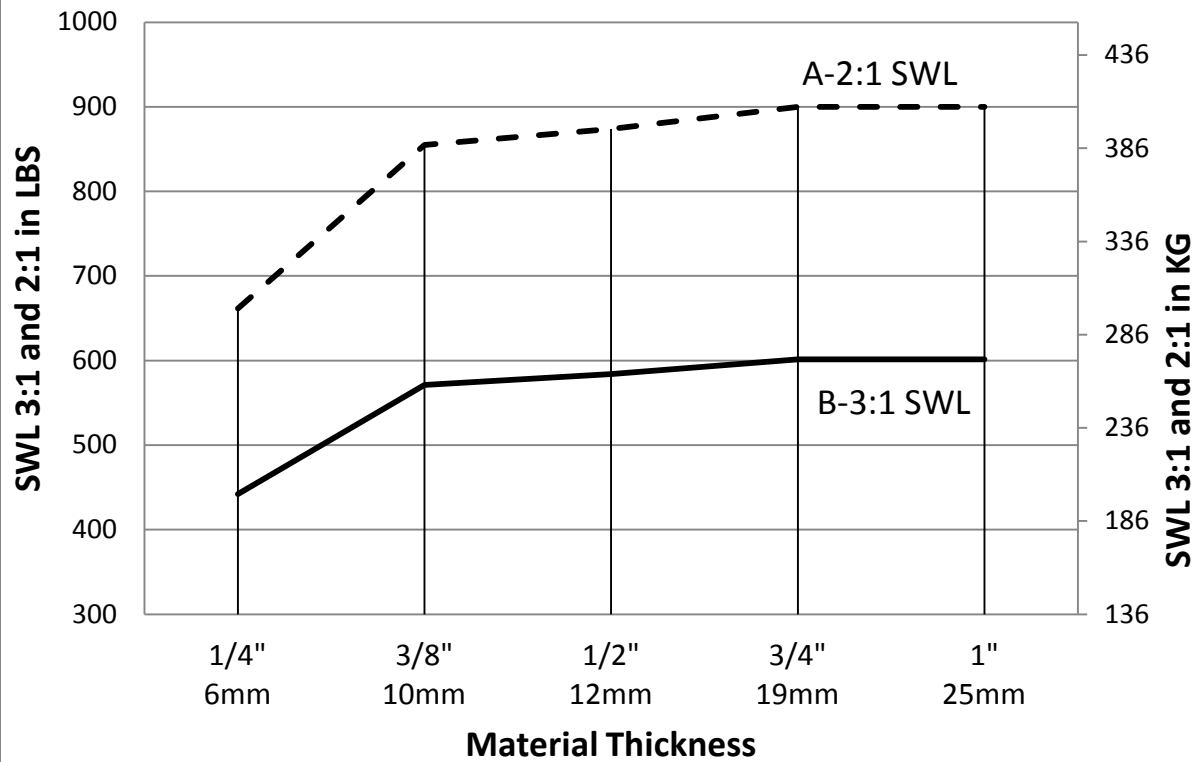
WORKING SURFACE



Part Number 110674
 Revision Date: April 18, 2012

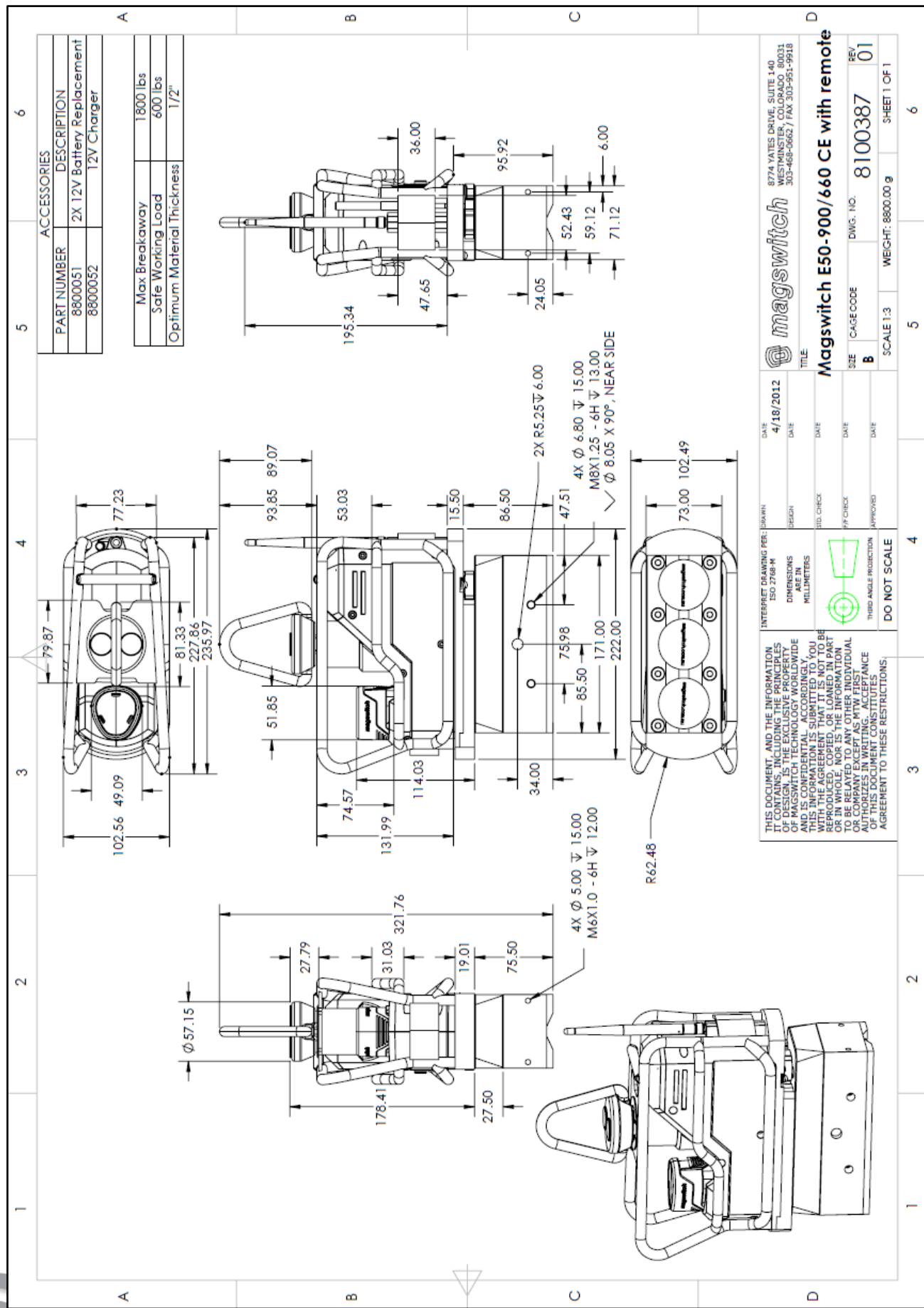
* Max Breakaway determined in laboratory environment on 2" thick SAE1018 Steel with surface roughness 63 micro inches. Many factors contribute to the actual breakaway force in each application. Always test the magswitch in each application before deployment. Refer to the magswitch information booklet for more information.

Magswitch E50-900/660 CE Safe Working Load



Part Number 110674
Revision Date: April 18, 2012

* Max Breakaway determined in laboratory environment on 2" thick SAE1018 Steel with surface roughness 63 micro inches. Many factors contribute to the actual breakaway force in each application. Always test the magswitch in each application before deployment. Refer to the magswitch information booklet for more information.



ACCESSORIES	
PART NUMBER	DESCRIPTION
8800051	2X 12V Battery Replacement
8800052	12V Charger

Max Breakaway	1800 lbs
Safe Working Load	600 lbs
Optimum Material Thickness	1/2"

magswitch
 8774 VATES DRIVE, SUITE 140
 WESTMINSTER, COLORADO 80031
 303-468-0662 / FAX 303-951-9918

Magswitch E50-900/660 CE with remote

DATE: 4/18/2012
 DESIGN: []
 DIMENSIONS ARE IN MILLIMETERS
 THIRD ANGLE PROJECTION
 DO NOT SCALE

REV: 01
 DWG. NO.: 8100387
 SCALE: 1:3
 WEIGHT: 8800.00 g
 SHEET 1 OF 1

THIS DOCUMENT, AND THE INFORMATION IT CONTAINS, INCLUDING THE PRINCIPLES OF MAGSWITCH, IS THE EXCLUSIVE PROPERTY OF MAGSWITCH. NO PART OF THIS INFORMATION IS TO BE REPRODUCED, COPIED, OR TRANSMITTED IN ANY FORM OR BY ANY MEANS, WITHOUT THE WRITTEN PERMISSION OF MAGSWITCH. THIS INFORMATION IS SUBMITTED TO YOU WITH THE AGREEMENT THAT IT IS NOT TO BE USED IN WHOLE OR IN PART FOR ANY PURPOSE OTHER THAN THAT FOR WHICH IT WAS ORIGINALLY INTENDED. NO LIABILITY SHALL BE ASSUMED BY MAGSWITCH OR ANY OF ITS AFFILIATES FOR ANY DAMAGE TO PROPERTY OR PERSONS ARISING FROM THE USE OF THIS DOCUMENT. THIS DOCUMENT CONSTITUTES AN AGREEMENT TO THESE RESTRICTIONS.